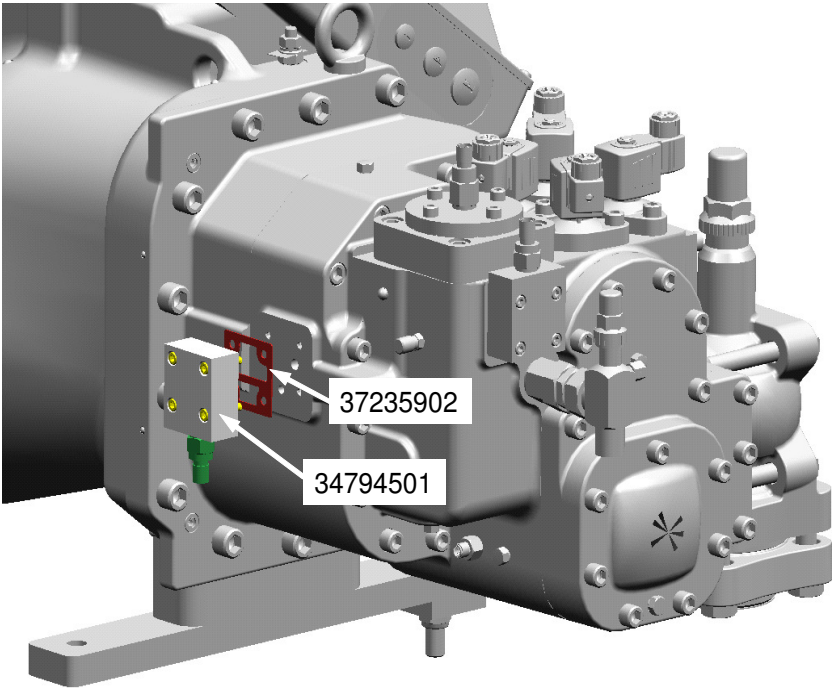
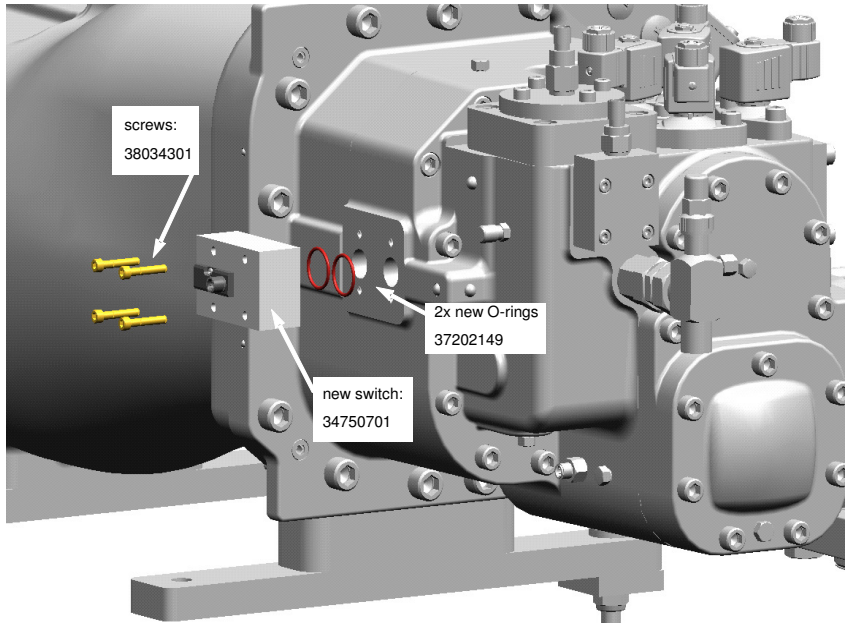


Actual oil flow switch design



oil flow switch base on difference pressure measurement principle

Future oil flow switch version



oil flow switch future design